



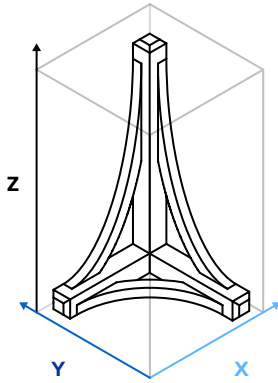
DESIGN GUIDE

Fuse 1 SLS Design Guide

Success with selective laser sintering (SLS) begins with parts optimized for the SLS 3D printing process. This guide covers the important dimensions and design considerations to keep in mind when designing parts for the Fuse 1.

Note: These guidelines were developed with Formlabs Nylon 12 Powder printed at 110 microns on the Fuse 1. Since SLS printing behavior is geometry-dependent, these recommendations may not reflect all circumstances.

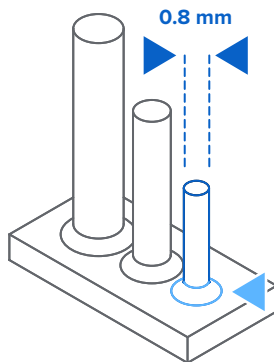
Reference Dimensions



MAXIMUM PART SIZE WITH NYLON 12 POWDER

159.2 mm ● x 159.2 mm ● x 295.5 mm ●

The largest possible part that can be printed in Nylon 12 Powder on the Fuse 1.

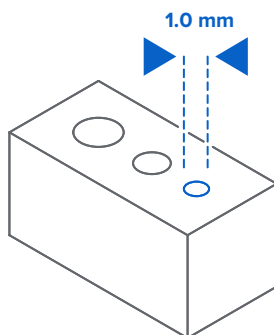


MINIMUM PIN DIAMETER

0.8 mm

The minimum pin diameter is the smallest diameter that can be printed successfully.

Note: Take extra care when cleaning thin pins in the Fuse Sift powder recovery station to prevent them from snapping. Filleting the edges where they meet the bulk of the part will mitigate this risk.

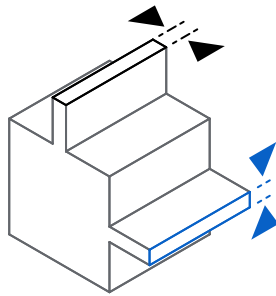


MINIMUM HOLE DIAMETER

1.0 mm

Holes with a diameter less than 1.0 mm may close off during printing.

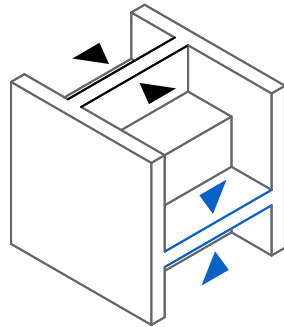
Note: For precisely concentric holes, design an undersized pilot hole and use a reamer to open the hole to its intended diameter.



MINIMUM UNSUPPORTED WALL THICKNESS

- Vertical Walls: 0.6 mm
- Horizontal Walls: 0.3 mm

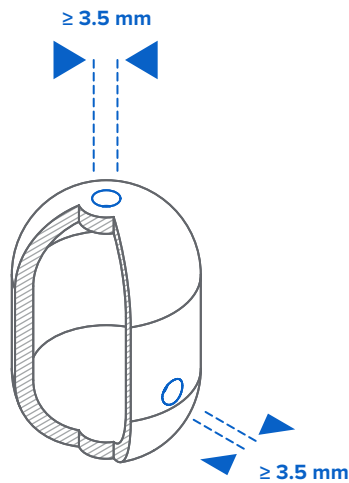
The minimum unsupported wall thickness is the minimum thickness required for a wall supported on fewer than two sides. Walls that are too thin may warp or detach from the model.



MINIMUM SUPPORTED WALL THICKNESS

- Vertical Walls: 0.6 mm
- Horizontal Walls: 0.3 mm

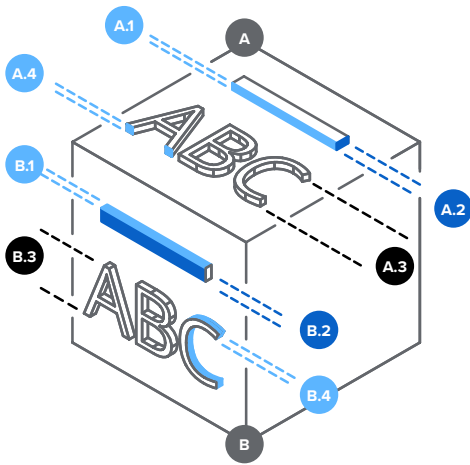
The minimum supported wall thickness is the minimum thickness required for a wall supported on two or more sides. Walls that are too thin may warp or detach from the model.



ESCAPE HOLES

Enclosed cavities remain filled with unsintered powder without proper escape holes. For best results, include at least **2 escape holes** from your cavity greater than or equal to **3.5 mm** in diameter.

Note: More and larger escape holes make it easier to remove unsintered powder from internal cavities. To guarantee a clean internal surface, design the part so that the surface in question is easy to access with cleaning tools.



MINIMUM EMBOSSED FEATURES

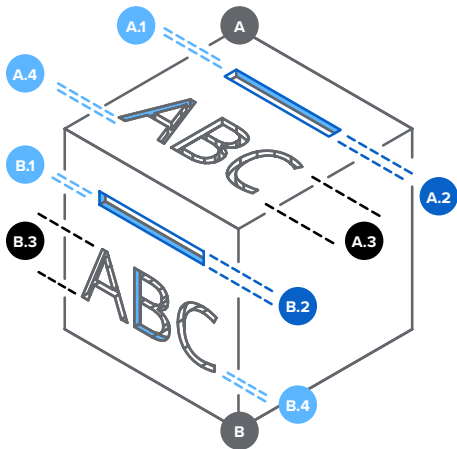
A. HORIZONTAL FACES:

- A.1 Depth: **0.15 mm**
- A.2 Width: **0.35 mm**
- A.3 Text font height: **4.5 mm**
- A.4 Text font depth: **0.3 mm**

B. VERTICAL FACES:

- B.1 Depth: **0.35 mm**
- B.2 Width: **0.4 mm**
- B.3 Text font height: **4.5 mm**
- B.4 Text font depth: **0.3 mm**

Embossed features are extruded from the surface of the model. Small embossed features may not be visible on the finished part. Use a bold font where possible for best results with embossed text.



MINIMUM ENGRAVED FEATURES

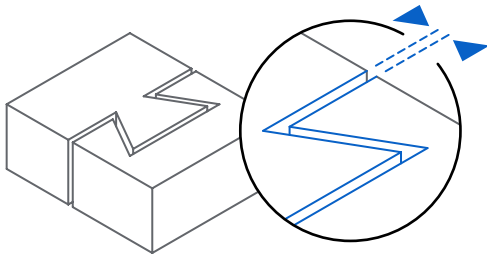
A. HORIZONTAL FACES:

- A.1 Depth: **0.1 mm**
- A.2 Width: **0.3 mm**
- A.3 Text font height: **3 mm**
- A.4 Text font depth: **0.3 mm**

B. VERTICAL FACES:

- B.1 Depth: **0.15 mm**
- B.2 Width: **0.35 mm**
- B.3 Text font height: **3 mm**
- B.4 Text font depth: **0.3 mm**

Engraved features are cut from the surface of the model. Small engraved features may not be visible on the finished part. Use a bold font where possible for best results with engraved text.

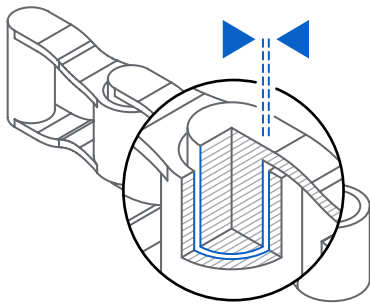


MINIMUM ASSEMBLY TOLERANCES

Features less than 20 mm²: 0.2 mm

Features greater than 20 mm²: 0.4 mm

Leave a slight clearance between printed parts intended to mesh or interface after printing, like assembly joints or gears.



INTEGRATED ASSEMBLY CLEARANCE

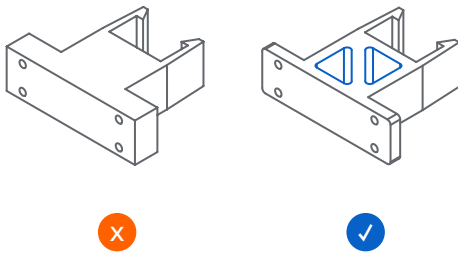
Features less than 20 mm²: 0.3 mm

Features greater than 20 mm²: 0.6 mm

For parts that will be printed together in an integrated assembly, leave clearance to prevent the parts from fusing together during the print.

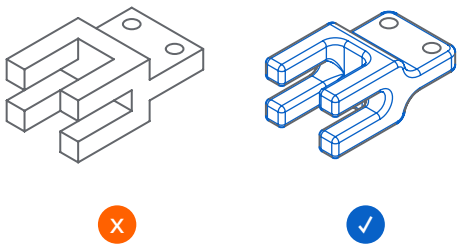
Achieving Design Success

The SLS 3D printing process stands out among others because loose powders are fused together to create your part, which brings some benefits, such as the ability to print without dedicated support structures. However, this can have implications for parts not suited for the process. These recommendations can help you conserve material and print time while optimizing your part for successful printing and implementation.



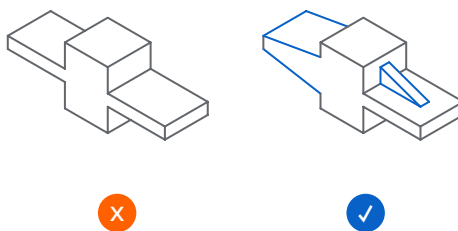
MAINTAINING UNIFORM THICKNESS

Where possible, keep the thickness of your parts relatively consistent. This will alleviate warping issues as parts cool. Consider shelling thicker parts to maintain a uniform thickness and save material.



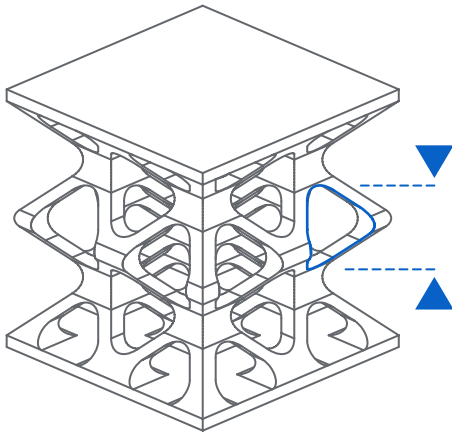
REDUCING STRESS CONCENTRATIONS

Parts can experience stress buildup at sharp changes in cross-section, such as thin extrusions from thick bases. Design gradual edge transitions instead of abrupt ones to reduce these stress concentrations.



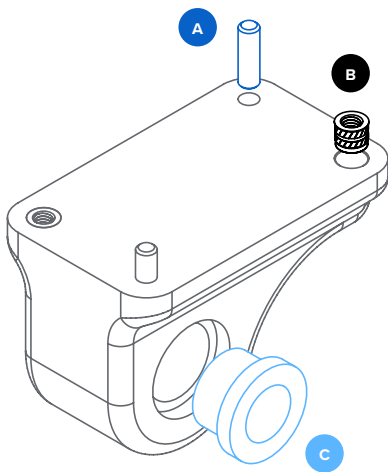
MANAGING ASPECT RATIO

Parts with a high aspect ratio are susceptible to warping. Features such as ribs or drafts can mitigate risk of warping on thin, extruded sections like cantilevers and wires.



DESIGNING LATTICES

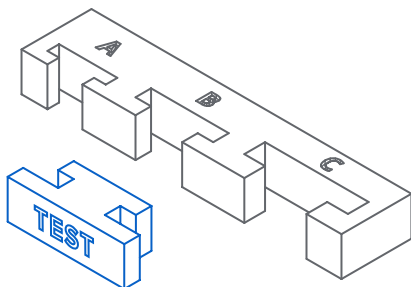
When designing a lattice structure, keep in mind that loose powders will need to be cleared from the lattice. To ensure easy powder removal in the Fuse Sift, design lattices with no smaller than **8 mm** gaps, and leave open faces in your lattice so that you don't trap powder inside.



INTEGRATING HARDWARE IN YOUR DESIGNS

Identify where it makes sense to integrate hardware into your printed designs. Here are some examples:

- A** Dowel pins as precise locating features
- B** Heat set inserts for durable threaded connections
- C** Bushings for concentric interfaces to shafts or rails



WHEN IN DOUBT, TEST!

If you are concerned about the success of a specific feature, create a small test print of the specific geometry in question. Isolate the feature and print the test part in the same intended orientation as the full part to get the best indication of design success.

Note: You might want to try printing multiple test pieces with different dimensions at once to test various fits before committing to a larger print.